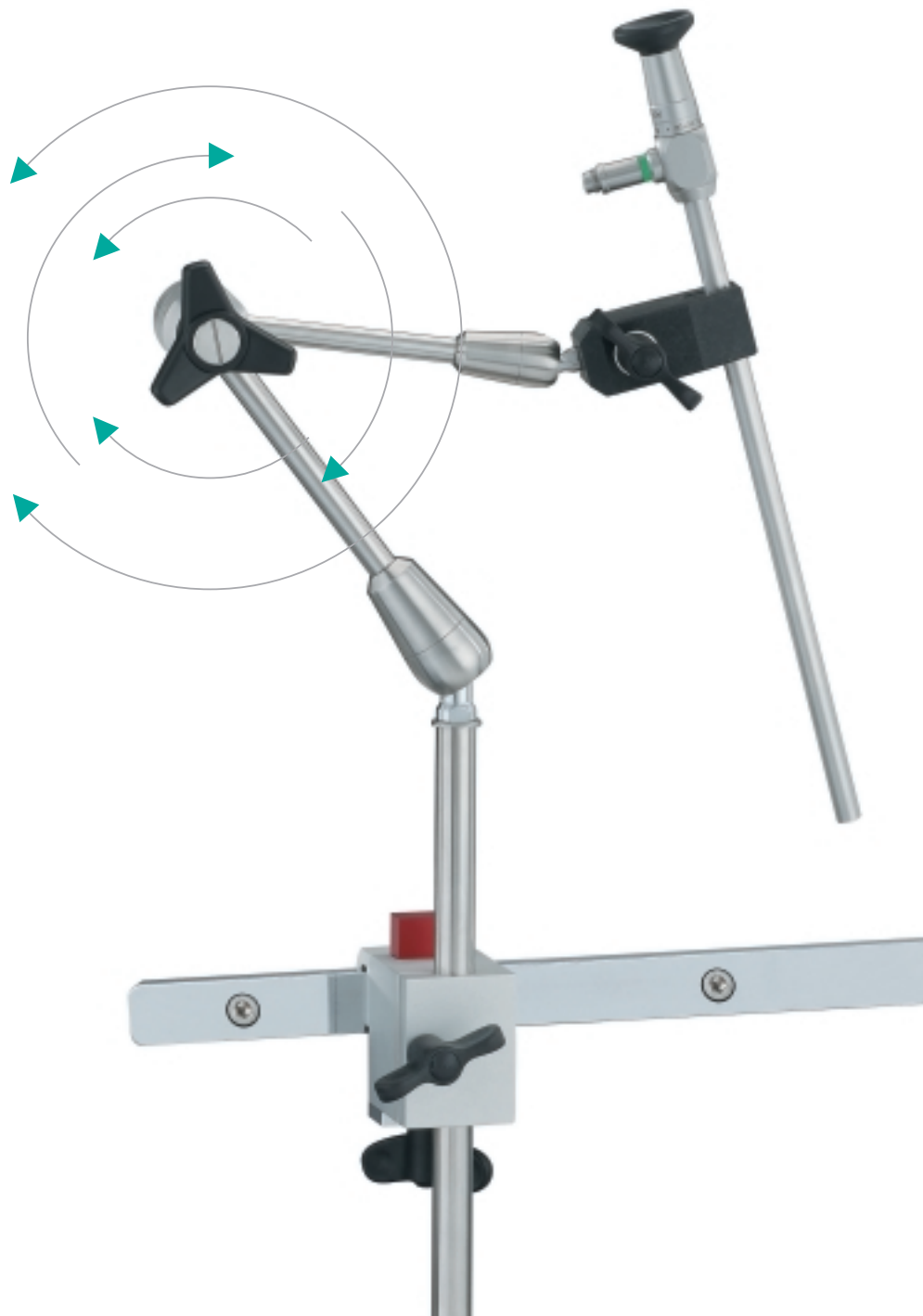




Fast and

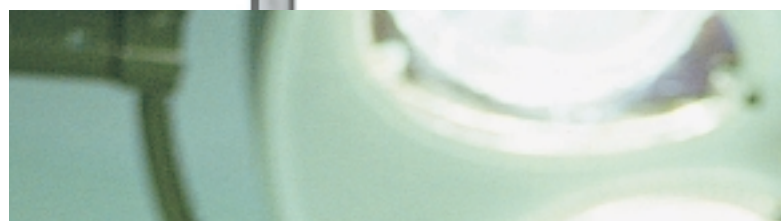
precise positioning

Articulated arm with quick central fixation for surgery



FISSO

easy positioning
safe holding





Safety, thanks to high-level

flexibili

A surgeon and his team do everything in their power to ensure that an operation is as pleasant and painless as possible for the patient. In order to concentrate fully on the patient and his needs during the operation, the team must be able to count on reliable, easy-to-handle instruments. FISSO articulated arms, with their quick central fixation, combine maximum security with simple operation.



FISSO holders

- safe
- practical
- versatile



Safe, stable FISSO bases for:

- standard rails
- operating tables



Flexibility and highest stability

In conjunction with the University Hospital in Zurich, the engineers at Baitella AG developed the FISSO articulated arm with its quick central fixation. FISSO articulated arms can be adjusted quickly and easily to any position required. The central tightening knob locks all the joints firmly in position and releases them just as quickly. The entirely mechanical clamping system facilitates fast and easy positioning of endoscopes and other instruments. Once fixed, the position is 100% guaranteed throughout the entire operation.

FISSO articulated arms with quick central fixation

- fixed with a simple twist
- high flexibility
- extremely stable
- maintenance-free, mechanical tightening system
- steam-sterilizable at 134°C
- holding load up to 200 N

FISSO – a brand with a name

Customers know they can rely on the FISSO brand and welcome the wide choice of models, the extensive range of accessories and the customized system solutions.

Maintenance-free use

FISSO articulated arms are made of stainless steel and high-quality alloy. Equipment can be steam-sterilized at 134°C. The solid quality is your guarantee for a long, maintenance-free service life. All products are designed and manufactured in Switzerland.

Experience and innovation

The number of FISSO medical systems in use worldwide runs to tens of thousands. Their manufacture and further development call for experience and innovative strength. A high level of personal commitment ensures that all our customers' requirements are met quickly and professionally.

FISSO at the service of the patient

High-quality systems from FISSO come with a number of clear-cut benefits that set them apart:

- simple operation thanks to the quick central fixation
- exact positioning
- extremely flexible articulated arm
- maximum safety for the patient
- ease the job of surgeon and assistant
- make operating area neat and tidy
- maintenance-free, steam-sterilizable
- modular product solutions



Perfect standard solutions

Our standard solutions have proven their suitability for surgical work in countless operating rooms worldwide. We are glad to advise you on the best FISSO system for your specific needs.

Instrument holding system

Retractors and other instruments can be fixed simply and firmly in position in a matter of seconds.



Instrument holder Art. no. 3840.65

K30 Combined instrument holder, 0–18/Ø4–18 mm
 G8 Articulated arm, action radius 400 mm
 V60 L column 450 x 100 mm, height-adjustable
 S3-3 Rails clamping base, double clamp

G9 Articulated arm, action radius 280 mm Art. no. 3828.65
 Other components like 3840.65

S7 Universal clamp, 10–40 mm Art. no. 3840.50
 Other components like 3840.65

For minimal invasive surgery (MIS), general surgery and neurosurgery. Can be attached firmly to various rails on the operating table



Instrument holder, U column Art. no. 3840.66

K30 Combined instrument holder, 0–18/Ø4–18 mm
 G8 Articulated arm, action radius 400 mm
 V70 U column 266 x 330 x 116 mm
 S3-3 Rails clamping base, double clamp

For gynaecology, minimal invasive surgery (MIS), general surgery and neurosurgery. Facilitates positioning at the centre of the operating table



Instrument holder, insulated Art. no. 3840.85

K30 Combined instrument holder, 0–18/Ø4–18 mm
 G8 Articulated arm, action radius 400 mm
 V60 L column 450 x 100 mm, height-adjustable
 S30 Insulated rails clamping base, HF-tested

G9 Articulated arm, action radius 280 mm Art. no. 3828.85
 Other components as above

For high-frequency (HF) surgery, laparoscopy, minimal invasive surgery (MIS), general surgery and neurosurgery. Can be attached firmly to various rails on the operating table

Insulated rails clamping base

- compact and very stable
- operation from the front
- simple, rock-solid clamping system
- robust materials, tested
- steam-sterilizable at 134°C
- dielectric strength 1500 VAC



Instrument holder, insulated, U column Art. no. 3840.86

K30 Combined instrument holder 0–18/Ø4–18 mm
 G8 Articulated arm, action radius 400 mm
 V70 U column 266 x 330 x 116 mm
 S30 Insulated rails clamping base, HF-tested

For high-frequency (HF) surgery in gynaecology, minimal invasive surgery (MIS), general surgery and neurosurgery. Facilitates positioning at the centre of the operating table

Flexibility and highest stability

Endoscope holding system

Optic holders designed to hold the camera firmly but gently. Available in sterilizable plastic in various high-precision diameters. The opening at the side facilitates simple insertion of the optical equipment.



Insulated rails clamping base

- compact and very stable
- operation from the front
- simple, rock-solid clamping system
- robust materials, tested
- steam-sterilizable at 134°C
- dielectric strength 1500 VAC

Endoscope holder, rail

Art. no. 3840.60

- K26 Optic holder, Ø 5/10 mm
- G8 Articulated arm, action radius 400 mm
- V5-1 Column 300 mm, height-adjustable
- S3-3 Rails clamping base, double clamp

For laparoscopy, minimal invasive surgery (MIS), general surgery and neurosurgery

Endoscope holder, L column

Art. no. 3840.61

- K26 Optic holder, Ø 5/10 mm
- G8 Articulated arm, action radius 400 mm
- V60 L column 450 x 100 mm, height-adjustable
- S3-3 Rails clamping base, double clamp

For laparoscopy, minimal invasive surgery (MIS), general surgery and neurosurgery. The L column facilitates many different positions

Endoscope holder, U column

Art. no. 3840.62

- K26 Optic holder, Ø 5/10 mm
- G8 Articulated arm, action radius 400 mm
- V70 U column 266 x 330 x 116 mm
- S3-3 Rails clamping base, double clamp

For gynaecology, minimal invasive surgery (MIS), general surgery and neurosurgery. Facilitates positioning at the centre of the operating table

Endoscope holder, universal

Art. no. 3840.70

- K26 Optic holder, Ø 5/10 mm
- G8 Articulated arm, action radius 400 mm
- V5-1 Column 300 mm, height-adjustable
- S7 Universal clamp, 10–40 mm

For laparoscopy, minimal invasive surgery (MIS), general surgery and neurosurgery. Can be attached firmly to rails, round and flat cross-sections

Endoscope holder, insulated

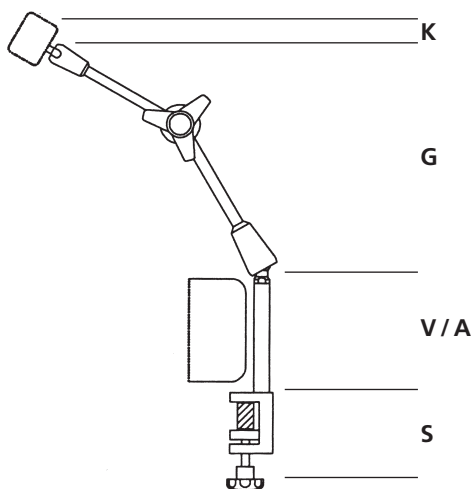
Art. no. 3840.80

- K26 Optic holder, Ø 5/10 mm
- G8 Articulated arm, action radius 400 mm
- V5-1 Column 300 mm, height-adjustable
- S30 Insulated rails clamping base, HF-tested

For high-frequency (HF) surgery, laparoscopy, minimal invasive surgery (MIS), general surgery and neurosurgery

Modular solutions from the brand **FISSO**

FISSO systems are assembled to meet the customer's exact requirements. In our components catalogue we will show you our wide range of products – or in a personal discussion of your needs.



Select your components

Art. no.	Code	Description
Head components		
5.422	K30	Combined instrument holder Ø4–18/0–18 mm, M8
5.447	K26	Optic holder Ø5/10 mm, M8
5.441	KXY	Optic holder XY (according requirements), M8
5.442	K22	Optic holder Ø4 mm, M8
5.443	K21	Optic holder Ø8 mm, M8
Articulated arms		
2.850	G9	Articulated arm 3800-28 Steri S, 280 mm, M8/M12 x 1
2.750	G8	Articulated arm 3800-40 Steri S, 400 mm, M8/M12 x 1
2.780	G15	Articulated arm 3800-55 Steri S, 550 mm, M8/M12 x 1
Columns		
5.462	V5-1	Column Ø 16 x 300 mm, M12 x 1/M8
5.468-1	V7-1	Column Ø 16 x 400 mm, M12 x 1/M8
5.495	V60	L column, Ø 16, 450 x 100 mm, M12 x 1/M8
5.496	V70	U column, Ø 16, 266 x 330 x 116 mm, M12 x 1/M8
93.689	A6	Stop lid M8, Ø 20 mm
Base components		
5.280	S3-3	Rails clamping base, double clamp, HAC Ø 16 mm
5.251	S7	Universal clamp, 10–40 mm, HAC Ø 16 mm
5.240	S30	Insulated rails clamping base, HF-tested, HAC Ø 16 mm

Head components

Art. no.	Code	Description
5.422	K30	Combined instrument holder Ø4–18/0–18 mm, M8
5.447	K26	Optic holder Ø5/10 mm, M8
5.441	KXY	Optic holder XY (according requirements), M8
5.442	K22	Optic holder Ø4 mm, M8
5.443	K21	Optic holder Ø8 mm, M8

Articulated arms

2.850	G9	Articulated arm 3800-28 Steri S, 280 mm, M8/M12 x 1
2.750	G8	Articulated arm 3800-40 Steri S, 400 mm, M8/M12 x 1
2.780	G15	Articulated arm 3800-55 Steri S, 550 mm, M8/M12 x 1

Columns

5.462	V5-1	Column Ø 16 x 300 mm, M12 x 1/M8
5.468-1	V7-1	Column Ø 16 x 400 mm, M12 x 1/M8
5.495	V60	L column, Ø 16, 450 x 100 mm, M12 x 1/M8
5.496	V70	U column, Ø 16, 266 x 330 x 116 mm, M12 x 1/M8
93.689	A6	Stop lid M8, Ø 20 mm

Base components

5.280	S3-3	Rails clamping base, double clamp, HAC Ø 16 mm
5.251	S7	Universal clamp, 10–40 mm, HAC Ø 16 mm
5.240	S30	Insulated rails clamping base, HF-tested, HAC Ø 16 mm



Baitella AG

FISSO

easy positioning
safe holding

Thurgauerstr. 70, CH-8050 Zurich, Switzerland
Telephone +41 (0)1 302 51 42
Fax +41 (0)1 302 75 28
E-mail info@baitella.com
Internet www.baitella.com